

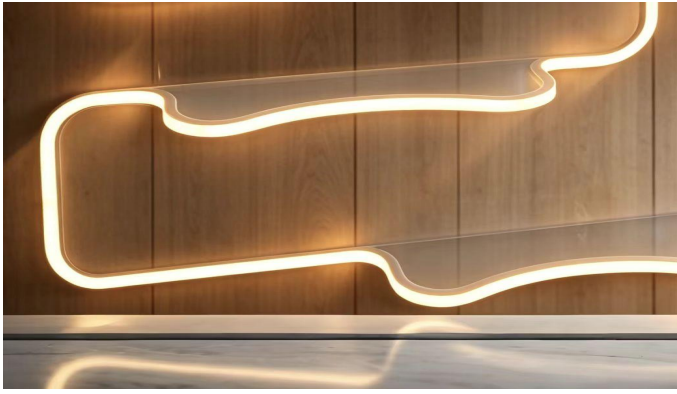


UiLED TECHNOLOGY

Good People, Good Work.



We are committed to deliver high quality, cost-effective, energy saving LED products for the global market.



- It is made of Dow Chemical SILASTIC™ ET-7021 silicone rubber, which provides high transparency and high strength.
- Environmental protection grade silicone material, integrated extrusion molding process.
- Unique optical light distribution structure design, uniform lighting surface and no shadow.
- IP67 protection level, salt solution resistance, acids & alkalis and UV resistance.
- Combine with top bend and side bend, to meet the request of the different space bend.
- 5 years warranty, long-life LED ≥ 50000 hrs.

ORDERING GUIDE



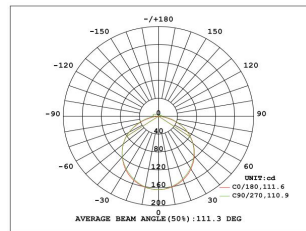
PART #	INPUT (Vdc)	POWER (W / M)	CRI	Max Run	Storage Temperature
FN1010DB	24V	5	90	10mt	-25°C~ 60°C
FN1010DB	24V	10	90	5mt	-25°C~ 60°C
FN1010DB	12V	10	90	5mt	-25°C~ 60°C

LUMENS PER METER

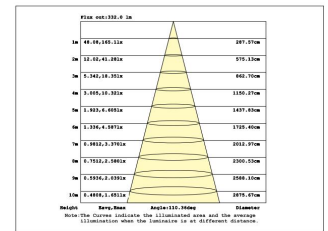
Color Temperature	Lumen per meter	Efficiency (LM/W)
2700±150	464	46.4
3000±150	486	48.6
3500±200	491	49.1
4000 +400 -200	506	50.6
5000 +500 -300	506	50.6
6500±500	493	49.3
Red	168	16.8
Green	445	44.5
Blue	95	9.5
Yellow	110	11
Orange	147	14.7
Pink	371	37.1

LUMINAIRE PHOTOMETRIC

LUMINOUS INTENSITY DISTRIBUTION DIAGRAM

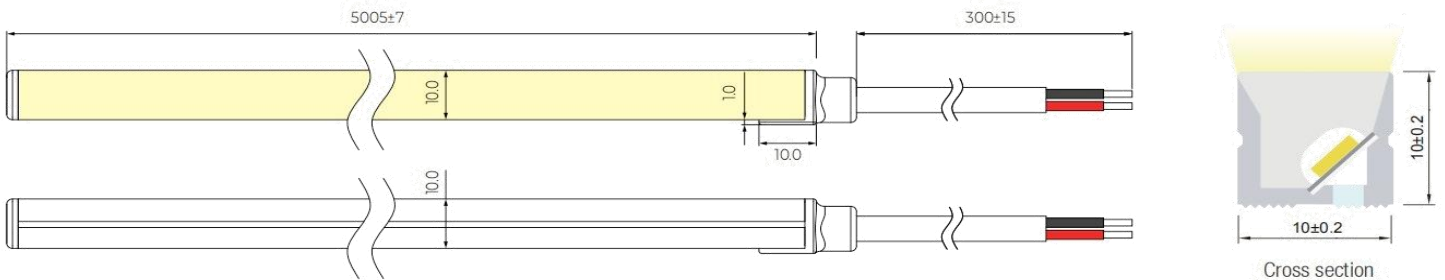


Illuminance curve

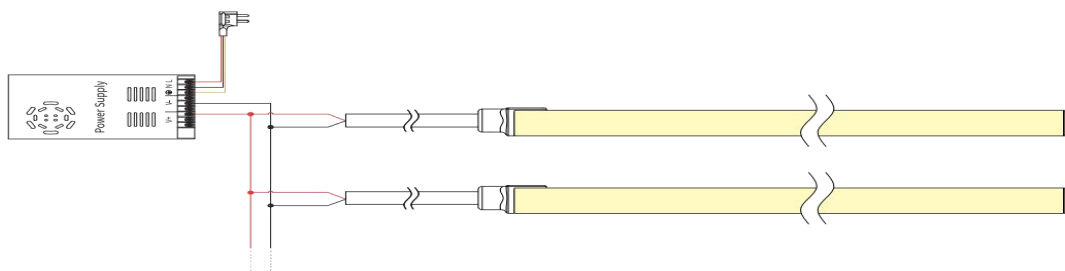


Note: The above data is based on 24V, 10W/M, single colour with 4000K color temperature. If you need IES files for other types.

DIMENSION (mm)

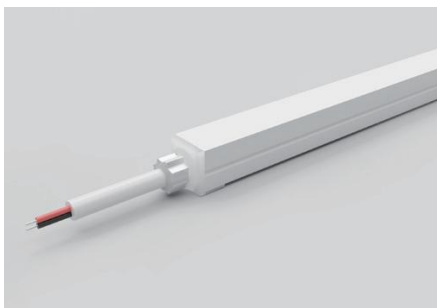
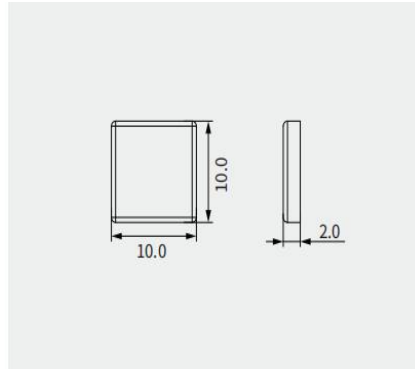
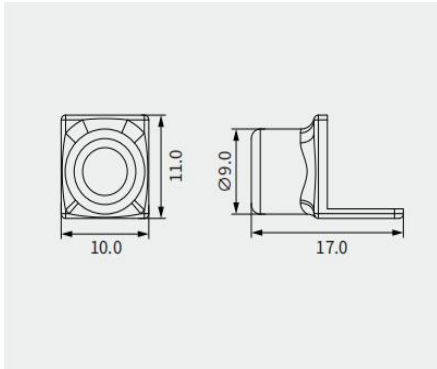


POWER CONNECTION DIAGRAM



CABLE ENTRY (Unit: mm)

Integral end cap (IP67)



Front Cable Entry

Closed End cap

CABLE

Cable Type	Schematic Diagram	Specification	Core	Electrical Properties
PVC Cable		OD: 4.0mm / Inner core: 20AWG	● ●	Red V+, Black V-
Waterproof Connector with Silicone Cable		OD: 6.0mm / Inner core: 20AWG M12Male / Female connector	● ●	Red V+, Black V-

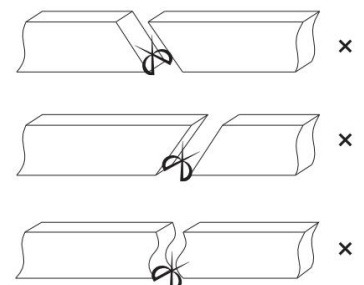
CUTTING MARK



Remark:
The bottom of the led strip has transparent window, the black marker is the cutting position.



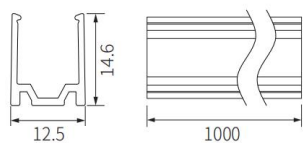
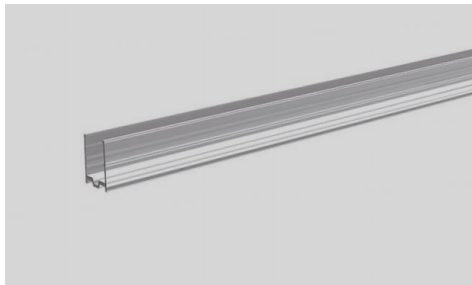
Use professional scissors to cut vertically at the cutting mark



Please don't be feel free to cut and cut into an oblique angle or cambered section.

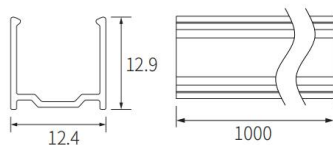
ACCESSORIES (Unit: mm)

Transparent plastic groove



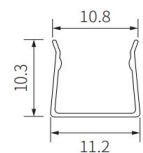
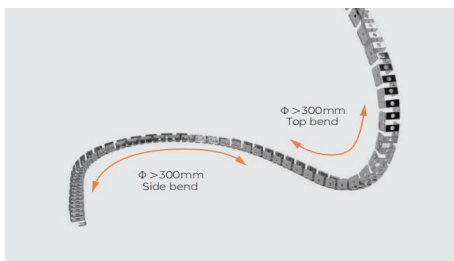
Dimension:
1000(±5)x12.5x14.6
Accessories:
Screw M3x16 (SUS304)

Aluminium Profile



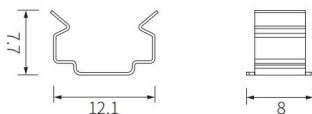
Dimension:
1000(±5)x12.4x12.9
Accessories:
Screw M3x16 (SUS304)

Curved profile



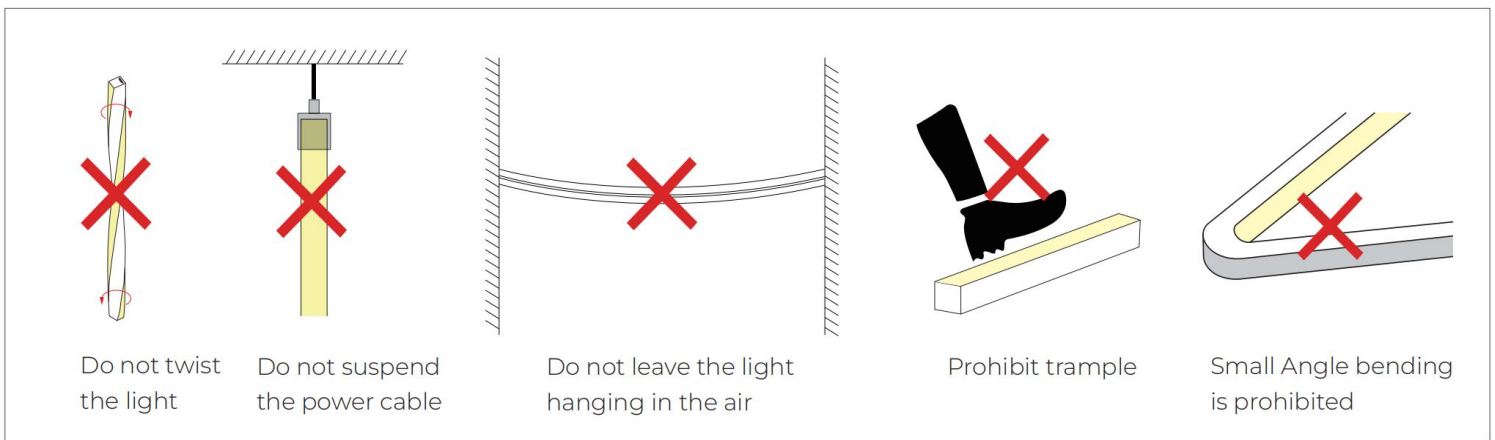
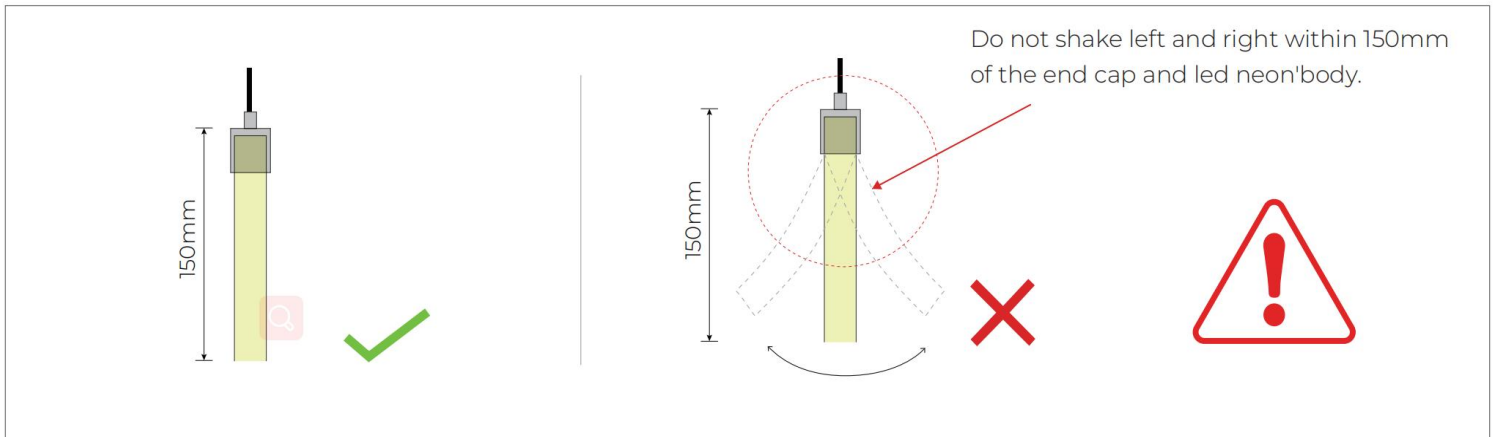
Dimension:
1000x11.2x10.3
Accessories:
Screw M3x16 (SUS304)

Stainless Steel Mounting clips

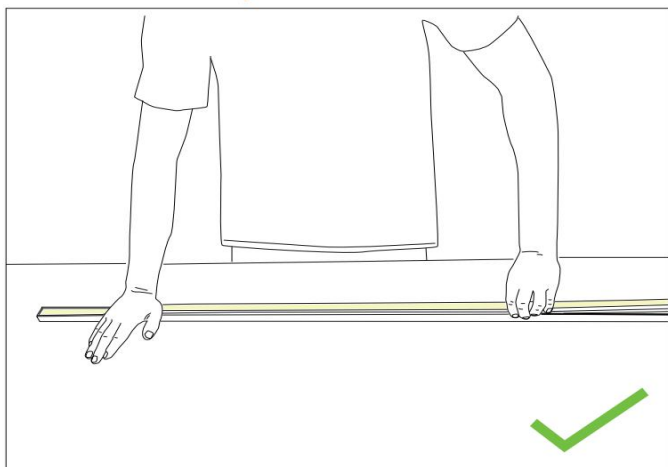


Dimension:
8X7.7X12.1
Accessories:
Screw M3x16 (SUS304)

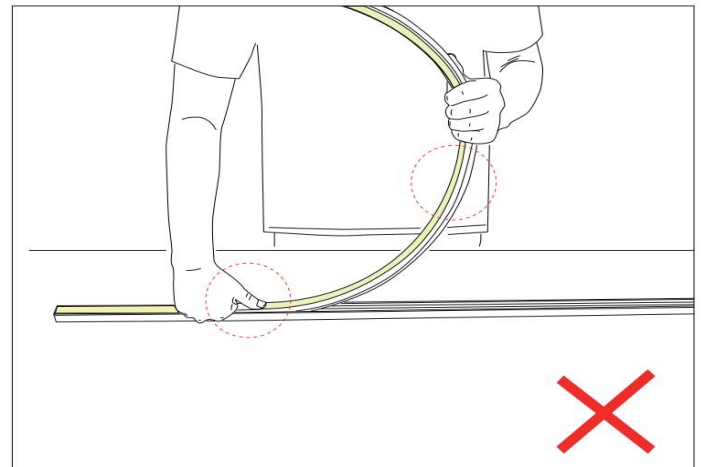
INSTALLATION PRECAUTIONS



Put it in the profile



- Please press the led strip with your palm to slowly insert the led strip into the groove, and gently straighten the led strip above the groove with your right hand.
- Try to keep the led strip in a flat state during the installation process.



- Do not press the led strip with a single finger, it is easy to damage the internal parts of the led strip.
- The bent arc of the led strip should not be too large during installation.